



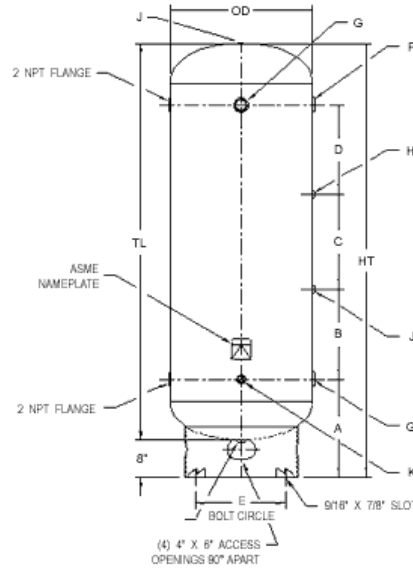
ROTATING SERVICES, LLC
 P.O. Box 234187 • Anchorage, AK 99523
 Phone (907) 770-1850 • Fax (907) 770-1851



Vertical Air Receivers 120-500 Gallons



**Industrial
Base Ring**



				DIMENSIONS IN INCHES								N.P.T. OPENINGS					
GAL	CU. FT.	PART #	Max PSI	OD	TL	HT	A	B	C	D	E	F	G	H	J	K	T.W.
120	16.0	302421	200	24	67	75	21	13	14	13	21	1-1/2	2	1/4	1/2	1	329
120	16.0	302422	300	24	67	75	21	13	14	13	21	1-1/2	2	1/4	1/2	1	379
200	26.7	302426	200	30	72	80	21	15	16	15	27	1-1/2	3	1/4	1/2	1	525
200	26.7	302427	300	30	72	80	21	15	16	15	27	1-1/2	3	1/4	1/2	1	720
240	32.1	302428	200	30	84	92	21	19	20	19	27	1-1/2	3	1/4	1/2	1	670
240	32.1	302429	300	30	84	92	21	19	20	19	27	1-1/2	3	1/4	1/2	1	930
400	53.5	302432	165	36	93	101	23	21	21	21	33	1-1/2	3	1/4	1/2	1	660
400	53.5	302433	200	36	93	101	23	21	21	21	33	1-1/2	3	1/4	1/2	1	881
400	53.5	302434	300	36	93	101	23	21	21	21	33	1-1/2	3	1/4	1/2	1	1100
500	66.9	302436	165	36	116	124	26	28	24	29	33	1-1/2	3	1/4	1/2	1	950
500	66.9	302437	200	36	116	124	26	28	24	29	33	1-1/2	3	1/4	1/2	1	1050

ASME Tanks, Propane Tanks, Air Tanks and Chemical Tanks from Manchester Tank