
Table of Contents

SURVIVOR® LaserLight® Series
4 in, 4 in Stop/Go, 6 in Remote Displays **RD-2**

SURVIVOR® LaserLight® M-Series
Messaging Remote Displays..... **RD-4**

LaserLT RD1550
1.5 inch LED Remote Display..... **RD-6**

RD-232
0.8 inch Remote Display **RD-8**

RD-300
1.0 inch Remote Display **RD-10**



Remote Displays/Scoreboards

SURVIVOR® LaserLight® Series 4 in, 4 in Stop/Go, 6 in Remote Display



LaserLight 4 in digit



LaserLight 4 in digit with stop and go lights



LaserLight 6 in digit

STANDARD FEATURES

Includes Time and Date Display

- Six high-intensity red digits (double-row discrete LED)
- Four high-intensity red annunciators for gross, net, lb, kg
- Available in 4 in (101 mm) and 6 in (152 mm) digit sizes
- Auto Learn mode of communication protocols
- Hold displayed weight (demand input)
- Software selectable stand still mode, no updates while in motion
- Software configuration menu
- Durable weather-tight enclosure
- Adjustable daylight/night intensity
- Non-glare contrast filtered lens
- Mirror function
- RS-232, 20 mA, and RS-485 communications
- Auto sensing 115/230 VAC power supply
- 6 in (152 mm) LaserLight enclosure mounting holes match SURVIVOR IQ F40 Series remote display
- Porous polyethylene breather vent
- Red, green, arrow lights in stop/go version

SPECIFICATIONS

DISPLAY:

6 digit, 7 segment discrete oval precision optical performance red LED lamps
 Contrast enhanced optical filtering lens
 1- or 2- place decimal or comma indication
 4 annunciators for GR, NT, lb, kg
 Red, green 4 in light (manual switch or serial command)

INPUT INTERFACE:

RS-232, RS-485, 20 mA current loop (active or passive, switch selectable)

OUTPUT INTERFACE:

Independently configurable echo out port, RS-232 or 20 mA current loop (active or passive, switch selectable)

INPUT DATA FORMAT:

Baud Rate: 1200, 2400, 4800, 9600, and 19,200 self learning or software selectable
 Character Format: 7 or 8 data bits; even, odd, or no parity; 1 or 2 stop bits, self learning or software selectable

UPDATE:

Continuous or out-of-motion only; software selectable

POWER CONSUMPTION:

4 in (101 mm): 21 watt
 6 in (152 mm): 27 watt

TIME OPTION:

Software enable/disable, 12- or 24-hour format

DATE OPTION:

Software enable/disable, US or ISO format

TEMPERATURE OPTION:

Software selectable °F or °C, temperature probe automatically detected

RATING/MATERIAL:

Weather proof, mild steel, powder coated

WEIGHT:

4 in (101 mm): 20 lb (9 kg)
 6 in (152 mm): 25 lb (11 kg)

OPERATING TEMPERATURE RANGE:

-40°F to 120°F (-40°C to 48.8°C)

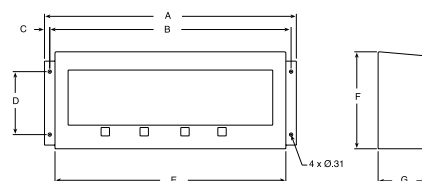
WARRANTY:

Two-year limited warranty

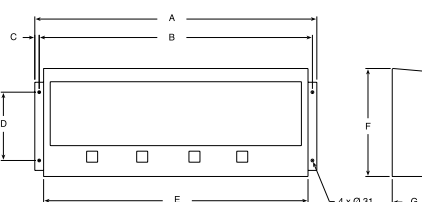
Remote Displays/
Scoreboards

DIMENSIONS			
4 IN ENCLOSURE			
A	24.0 in (609 mm)	E	22.0 in (558 mm)
B	23.0 in (584 mm)	F	9.25 in (234 mm)
C	0.5 in (12 mm)	G	5.0 in (127 mm)
D	6.0 in (152 mm)		
6 IN ENCLOSURE & 4 IN STOP/GO			
A	32.0 in (812 mm)	E	30.0 in (762 mm)
B	31.0 in (787 mm)	F	12.25 in (311 mm)
C	0.5 in (12 mm)	G	5.0 in (127 mm)
D	7.75 in (196 mm)		

4 in Enclosure



6 in Enclosure (4 in Stop/Go enclosure)



Remote Displays/Scoreboards

SURVIVOR® LaserLight® Series 4 in, 4 in Stop/Go, 6 in Remote Display (cont.)

PART #	DESCRIPTION	EST. SHIP WEIGHT	PRICE
75850.....	SURVIVOR LaserLight 4 in (101 mm) remote display.....	22 lb	\$1,450.00
75852.....	SURVIVOR LaserLight 6 in (152 mm) remote display.....	27 lb	1,900.00
87172.....	SURVIVOR LaserLight 4 in (101 mm) remote display, stainless steel	22 lb	2,000.00
103181.....	SURVIVOR LaserLight 4 in with red/green stop/go light.....	27 lb	1,800.00

OPTIONS/ACCESSORIES

43412.....	Temperature		125.00
93250.....	Wireless RFI Interface, includes two ConnexLink Radios		795.00
93249.....	Fiber Optic Interface, 2 transceivers (fiber optic cable sold separate) max distance 350 feet		595.00
75854.....	4 in (101 mm) visor (not required for weather protection), field installable.....		95.00
75855.....	6 in (152 mm) visor (not required for weather protection), field installable.....		120.00
75856.....	4 in (101 mm) LaserLight pole mount kit for 4 in to 8 in pole.....		125.00
77775.....	6 in (152 mm) LaserLight pole mount kit for 4 in to 8 in pole.....		175.00
75936.....	Additional operating manual.....		25.00

* LaserLight 6 in fits into existing SURVIVOR® IQ F40 holes

Remote Displays/
Scoreboards

Remote Displays/Scoreboards

SURVIVOR® LaserLight™ M-Series

Messaging Remote Displays



*SURVIVOR LaserLight M-Series 8-character display
12-character display also available*

STANDARD FEATURES

- Available with 8-character and 12-character display
- 2.75in high-intensity red character (discrete LED)
- Four annunciators for gross, net, lb, kg
- Auto Learn mode of communication protocols
- Display messages scroll, slide and flash
- Hold displayed weight (demand input)
- Software selectable stand still mode, no updates while in motion
- Software configuration menu
- Durable weather-tight enclosure
- Adjustable daylight/night intensity
- Non-glare contrast filtered lens
- Mirror function
- RS-232, 20mA, and RS-485 communications
- Auto sensing 115/230VAC power supply
- Porous polyethylene breather vent

SPECIFICATIONS

DISPLAY:

2.75in digit; 5 x 7 dot matrix using discrete oval precision optical performance red LED lamps
Contrast enhanced optical filtering lens
1- or 2-place decimal or comma indication
4 annunciators for GR, NT, lb, kg

INPUT INTERFACE:

RS-232, RS-485, 20mA current loop (active or passive, switch selectable)

OUTPUT INTERFACE:

Independently configurable echo out port, RS-232 or 20mA current loop (active or passive, switch selectable)

INPUT DATA FORMAT:

Baud Rate: 1200, 2400, 4800, 9600, and 19,200 self learning or software selectable
Character Format: 7 or 8 data bits; even, odd, or no parity; 1 or 2 stop bits, self learning or software selectable

UPDATE:

Continuous or out-of-motion only; software selectable

POWER CONSUMPTION:

8-character: 21 watt
12-character: 27 watt

TIME OPTION:

Software enable/disable, 12- or 24-hour format

DATE OPTION:

Software enable/disable, US or ISO format

TEMPERATURE OPTION:

Software selectable °F or °C, temperature probe automatically detected

RATING/MATERIAL:

Weather proof, mild steel, powder coated

WEIGHT:

8-character: 16lb (7kg)
12-character: 22lb (10kg)

OPERATING TEMPERATURE RANGE:

-40°F to 120°F (-40°C to 48.8°C)

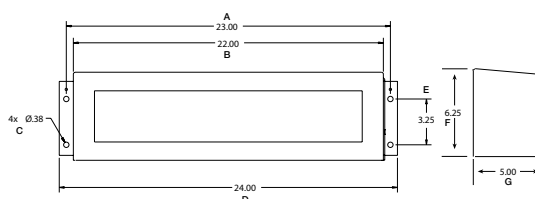
WARRANTY:

Two-year limited warranty

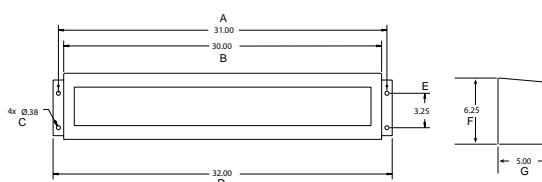
Remote Displays/
Scoreboards

DIMENSIONS			
2M8 ENCLOSURE			
A	23.00in (584mm)	E	3.25in (83mm)
B	22.00in (559mm)	F	6.25in (159mm)
C	4x 0.38in (10mm)	G	5.00in (127mm)
D	24.00in (610mm)		
3M12 ENCLOSURE			
A	31.00in (787mm)	E	3.25in (83mm)
B	30.00in (762mm)	F	6.25in (159mm)
C	4x 0.38in (10mm)	G	5.00in (127mm)
D	32.00in (813mm)		

LaserLight 3M8



LaserLight 3M12



Remote Displays/Scoreboards

SURVIVOR® LaserLight™ M-Series Messaging Remote Displays (cont.)

PART #	DESCRIPTION	EST. SHIP WEIGHT	PRICE
85137.....	SURVIVOR LaserLight 3M8 8-character remote display	22 lb	\$1,400.00
85152.....	SURVIVOR LaserLight 3M12 12-character remote display	27 lb	1,850.00

OPTIONS/ACCESSORIES

75853.....	Time and date		125.00
43412.....	Temperature		125.00
75854.....	3M8 visor (not required for weather protection), field installable		95.00
75855.....	3M12 visor (not required for weather protection), field installable		120.00
85343.....	3M8 LaserLight pole mount kit.....		125.00
85344.....	3M12 LaserLight pole mount kit.....		150.00
75936.....	Additional operating manual.....		25.00
103178.....	Wireless RFI Interface, includes 2 ConnexLink Radio (for 3M12 only)		795.00
93249.....	Fiber Optic Interface, 2 transceivers (fiber optic cable sold separately)		595.00

Remote Displays/
Scoreboards

Remote Displays/Scoreboards

LaserLT RD-1550

1.5in LED Remote Display



STANDARD FEATURES

- Six red LED digits, 1.5in height
- Annunciators for weighing mode, units and status
- Red and green annunciator lights
- Programmable keys for primary weighing functions (Zero, G/N, Tare, Units, Print)
- Auto Learn mode for easy connection
- Continuous or Demand mode inputs
- Stainless steel enclosure, hinged cover
- RS-232, 20mA communication ports
- Option for fiber optic, USB, Ethernet TCP/IP, RS-422 or wireless communication
- Echo or addressable for displaying specific data
- Auto sensing power supply
- Software configuration menu
- Compatible with Revolution® Configuration Utility

SPECIFICATIONS

DISPLAY:

Six-digit LED, 7-segment character, 1.5in height
 Six annunciators for GR, NT, lb, kg, motion and COZ
 One red/one green light (serial or I/O controlled)
 Overlay with contrast filtered lens
 Optional visor for direct sunlight

INPUT INTERFACE:

Port 1 20 mA bidirectional
 Port 2 RS-232 bidirectional
 Port 3 RS-232 or pluggable option for Fiber Optic, USB, Ethernet TCP/IP, RS422
 Port 4 RS-232 or pluggable option for wireless LAN

OUTPUT INTERFACE:

Echo (daisy chain) output mode – port selectable
 Keypad output mode – configurable strings and port selectable

INPUT DATA FORMAT:

Learn mode or software selectable for data types
 Baud Rate: 1200, 2400, 4800, 9600, 19,200, 38,400, 57,600, 115,200
 Characters: 7 even, odd or 8 none
 Stop bits: 1 or 2 selectable

UPDATE:

Software selectable for continuous or demand formats to hold the displayed weight

DIGITAL I/O:

Two inputs for control of red and green lights

RATING/MATERIAL:

NEMA 4X/IP69K, 304 stainless steel

WEIGHT:

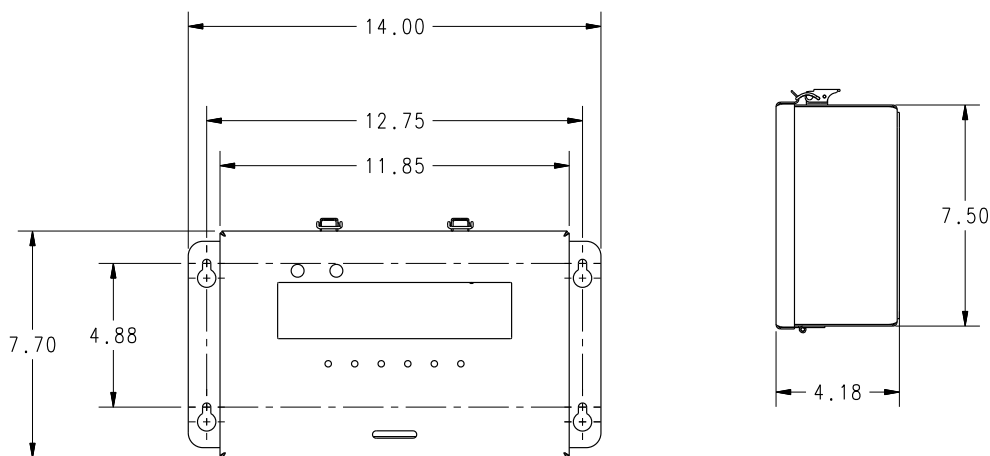
10lbs

OPERATING TEMPERATURE:

-20°F to 120°F (-30°C to 50°C)

WARRANTY:

Two-year limited warranty



Remote Displays/
Scoreboards

Remote Displays/Scoreboards

LaserLT RD-1550

1.5in LED Remote Display (cont.)

PART #	DESCRIPTION	EST. SHIP WEIGHT	PRICE
111143.....	SURVIVOR® LaserLT RD-1550 remote display, 90 – 260 VAC	10lb	\$795.00
111144.....	SURVIVOR LaserLT RD-1550 remote display, 9 – 36VDC.....	10lb	895.00
110384.....	CPU/LED display board only (requires power supply).....		495.00
76556.....	Power supply, auto switching 90 – 260VAC.....		50.00
97475.....	Power supply, 9 – 36VDC.....		150.00

OPTIONS/ACCESSORIES

77142.....	Ethernet TCP/IP board.....		400.00
96736.....	Fiber optic board		300.00
78026.....	Fiber optic cable, 100ft.....		130.00
78027.....	Fiber optic cable, 200ft.....		260.00
108579.....	RS-232/RS-422 board.....		250.00
108671.....	Wireless LAN board 802.11a/b.....		550.00
93245.....	USB board (requires USB cable, PN 95357)		125.00
115138.....	Visor		30.00
114035.....	Installation manual		25.00
77925.....	Revolution® configuration software.....		35.00

Remote Displays/
Scoreboards

Remote Displays/Scoreboards

RD-232

0.8in LED Remote Display



RD-232 NEMA 4X
FRP Enclosure



RD-232 NEMA 4X
stainless steel wall
mount enclosure

RD-232 compact
stainless steel wall
mount enclosure



STANDARD FEATURES

- NEMA 4X Fiberglass-Reinforced Polyester (FRP) wall-mount enclosure
- Optional NEMA 4X stainless steel wall-mount enclosure or NEMA 12 panel-mount version
- Easy-to-read 6-digit 0.8in (20.3mm) Light Emitting Diode (LED)
- AC or DC operation
- Four status annunciators
- Full floating decimal point
- RS-232 or 20mA current loop active or passive interface
- Compatible with a variety of digital weighing indicators; DIP switch selectable intuitive data receiver interprets serial strings

SPECIFICATIONS

DISPLAY:

6-digit, 7-segment, 0.8in (20.32mm) Light Emitting Diode (LED)

STATUS ANNUNCIATORS:

lb, kg, gross, net

OPERATING VOLTAGE:

115VAC/12VDC, $\pm 10\%$ 60Hz,
230VAC available
DC Voltage Range: 6.2-18VDC

INPUT INTERFACE:

RS-232, 20mA active or passive
current loop, standard
ASCII compatible

BAUD RATE:

Selectable: 300, 600, 1200, 2400, 4800,
9600, 19,200

OPERATING TEMPERATURE:

-13°F to 104°F (-25°C to 40°C)

RATING/MATERIAL:

NEMA 4X FRP or optional stainless steel

WEIGHT:

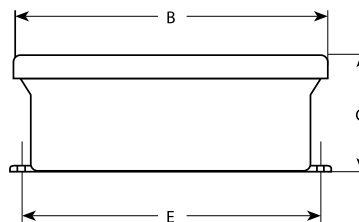
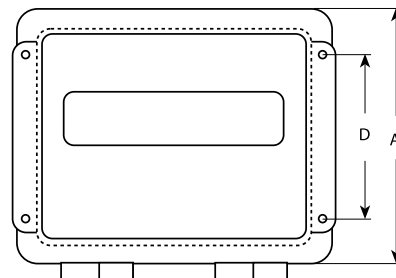
Approximately 5lb (2.3kg)
Stainless steel unit, approximately 6lb (2.7kg)

WARRANTY:

One-year limited warranty

Remote Displays/
Scoreboards

DIMENSIONS			
FRP ENCLOSURE			
A	8.00RD-8in (203mm)	D	4.00in (101mm)
B	9.50in (241mm)	E	8.75in (222mm)
C	5.25in (133mm)		
STAINLESS STEEL ENCLOSURE			
A	6.00in (152mm)	D	4.00in (101mm)
B	9.50in (241mm)	E	8.75in (222mm)
C	3.87in (98mm)		
COMPACT ENCLOSURE			
A	6.25in (158mm)	D	5.25in (133mm)
B	9.25in (234mm)	E	8.50in (215mm)
C	2.00in (50mm)		
PANEL MOUNT			
A	5.88in (149mm)	D	5.12in (130mm)
B	7.88in (200mm)	E	7.12in (180mm)
C	2.00in (50mm)		



Remote Displays/Scoreboards

RD-232

0.8in LED Remote Display (cont.)

PART #	DESCRIPTION	EST. SHIP WEIGHT	PRICE
32716.....	RD-232, 115VAC/12VDC, FRP enclosure	5 lb	\$895.00
68786.....	RD-232, 115VAC/12VDC, compact stainless steel enclosure.....	5 lb	895.00
32717.....	RD-232, 115VAC/12VDC, NEMA 4X stainless steel enclosure	8 lb	1,095.00
32727.....	RD-232, 115VAC/12VDC, panel mount	3 lb	795.00
34748.....	RD-232, 230VAC/12VDC, FRP enclosure	5 lb	995.00

Specify interfacing indicator when ordering a remote display

OPTIONS/ACCESSORIES

32726.....	RD-232, 115VAC/12VDC board only	750.00
33210.....	Additional operating manual (RD-232/RD-300)	21.00

Remote Displays/
Scoreboards

Remote Displays/Scoreboards

RD-300

1.0in LCD Remote Display



RD-300 NEMA 4X
FRP Enclosure



RD-300 NEMA 4X
Stainless Steel
Enclosure



RD-300 Compact
Stainless Enclosure

STANDARD FEATURES

- NEMA 4X Fiberglass-Reinforced Polyester (FRP) wall mount enclosure
- Optional NEMA 4X stainless steel wall mount enclosure
- Easy-to-read 1 in (25.4 mm) Liquid Crystal Display (LCD)
- RS-232 and 20 mA active current loop interface
- Status annunciators
- AC or DC operation
- Optional display with backlight for dark conditions
- Compatible with a variety of digital weighing indicators; intuitive data receiver automatically interprets serial strings
- 115VAC, 230VAC available

SPECIFICATIONS

DISPLAY:

6-digit, 7-segment, 1 in (25.4 mm) Liquid Crystal Display (LCD), optional backlight available (100,000-hour rated life)

STATUS ANNUNCIATORS:

lb, kg, g, gross, net, oz, pcs, tn, zero, count, under, over, OK

OPERATING VOLTAGE:

AC models: 115 VAC 50/60 Hz standard
DC models: 6.6-13.6 and 12-18 VDC;
230 VAC available

INPUT INTERFACE:

RS-232, 20 mA active current loop, standard
ASCII compatible

BAUD RATE:

Selectable: 1200, 2400, 4800
and 9600

OPERATING TEMPERATURE:

-13°F to 104°F (-25°C to 40°C)

RATING/MATERIAL:

NEMA 4X FRP or stainless steel

WEIGHT:

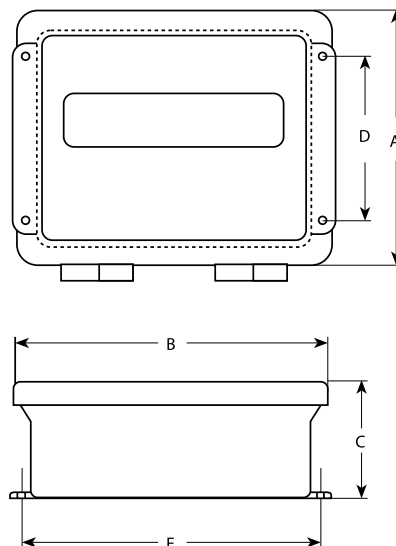
Approximately 4 lb (1.8 kg)

WARRANTY:

One-year limited warranty

Remote Displays/
Scoreboards

DIMENSIONS			
FRP ENCLOSURE			
A	8.00in (203mm)	D	4.00in (101mm)
B	9.50in (241mm)	E	8.75in (222mm)
C	5.25in (133mm)		
STAINLESS STEEL ENCLOSURE			
A	6.00in (152mm)	D	4.00in (101mm)
B	9.50in (241mm)	E	8.75in (222mm)
C	3.87in (98mm)		
COMPACT ENCLOSURE			
A	6.25in (158mm)	D	5.25in (133mm)
B	9.25in (234mm)	E	8.50in (215mm)
C	2.00in (50mm)		
PANEL MOUNT			
A	5.88in (149mm)	D	5.12in (130mm)
B	7.88in (200mm)	E	7.12in (180mm)
C	2.00in (50mm)		



Remote Displays/Scoreboards

RD-300

1.0in LCD Remote Display (cont.)

PART #	DESCRIPTION	EST. SHIP WEIGHT	PRICE
68783.....	RD-300 AC, compact stainless steel enclosure.....	5 lb	\$825.00
68782.....	RD-300 AC, compact stainless steel enclosure w/backlight.....	5 lb	900.00
22530	RD-300 AC, FRP enclosure	5 lb	825.00
22531	RD-300 DC, FRP enclosure	5 lb	825.00
22532	RD-300 AC, FRP enclosure w/backlight.....	5 lb	900.00
22533	RD-300 DC, FRP enclosure w/backlight	5 lb	900.00
22534	RD-300 AC, NEMA 4X stainless steel enclosure	8 lb	1,000.00
22535	RD-300 DC, NEMA 4X stainless steel enclosure	8 lb	1,000.00
22536	RD-300 AC, NEMA 4X stainless steel enclosure w/backlight.....	8 lb	1,075.00
22538.....	RD-300 AC, panel mount.....	3 lb	750.00
22539.....	RD-300 DC, panel mount	3 lb	750.00
22540.....	RD-300 AC, panel mount w/backlight.....	3 lb	825.00
22541.....	RD-300 DC, panel mount w/backlight.....	3 lb	825.00
34749.....	RD-300 AC, 230VAC, FRP enclosure	5 lb	925.00
34750.....	RD-300 AC, 230VAC, FRP enclosure w/backlight	5 lb	1,000.00

Specify interfacing indicator when ordering a remote display

OPTIONS/ACCESSORIES

32724	RD-300 AC/DC, board only	650.00
32725	RD-300 AC/DC, board only w/backlight.....	725.00
33210.....	Additional operating manual (RD-300/RD-232)	21.00

