

SPRING REWIND HOSE REELS - OIL

Open Reel, 43002 and 43003 Series:

An excellent tool to ensure a clean, efficient and safe working environment. These reels are constructed of heavy gauge, powder coated steel with a high density polypropylene hose drum to ensure durability and corrosion resistance. Reels have double pedestal and double arm construction for rigidity. Easy access inlet swivel design utilizes "quad" seals with PTFE backup and secondary 'O' Ring to ensure long life. Hose guide arms are adjustable to allow bench, wall or ceiling mounting.

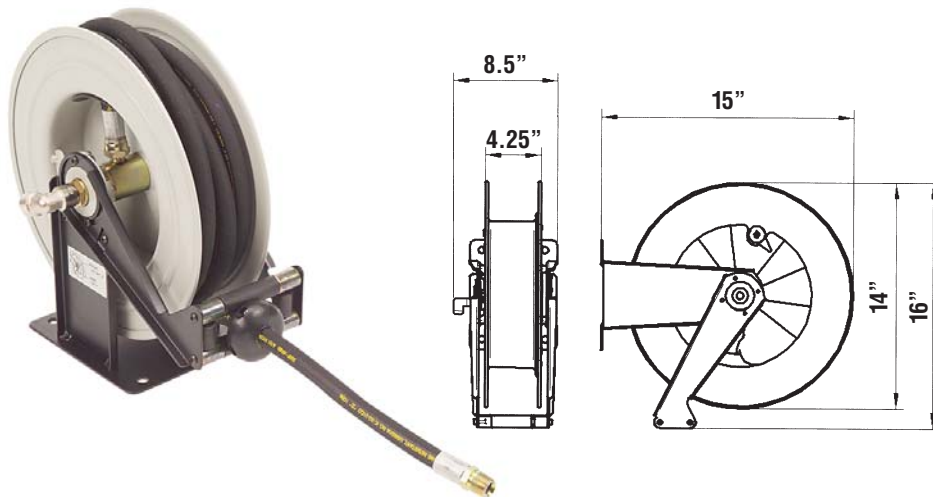
Both open and enclosed reel styles are supplied standard with rigid, fixed mounts. An optional swivel mount bracket is available for both the open and enclosed reel styles.

Reels are supplied complete with ball stop and 1/2" x 2' connecting hose. Maximum vertical mounting height is 12'. Contact Liquidynamics if higher mounting height is required.

Compact Hose Reel:

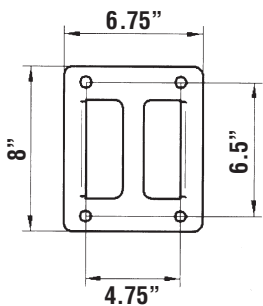
P/N **43003-25L**

This compact reel offers heavy duty steel construction with corrosion resistant powder coated finish, fully enclosed with lubricated spring and full flow swivel to minimize pressure drop. The hose guide arm is easily adjusted to allow wall, ceiling or floor mounting.

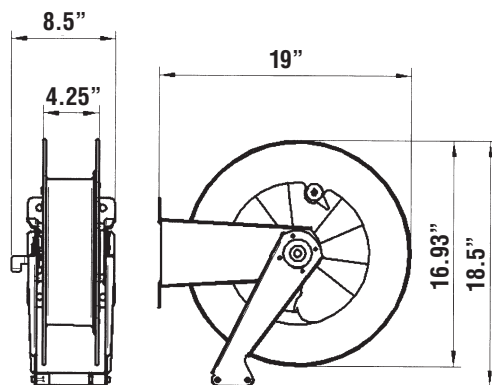


Mounting Pattern

Common both reels.



P/N **43002**



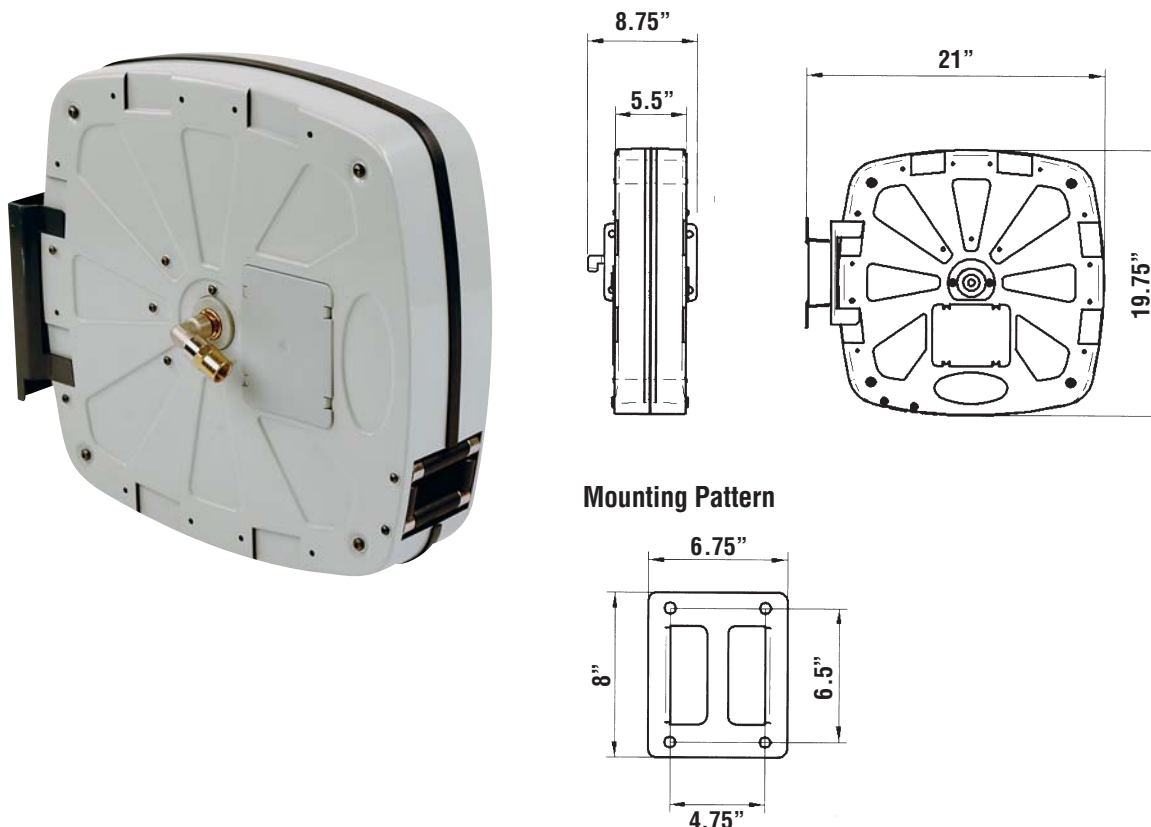
	P/N 43002	P/N 43002-25L	P/N 43002-30L	P/N 43002-40L	P/N 43002-50L	P/N 43003	P/N 43003-25L
Working Pressure	1,700 PSI	1,700 PSI	1,700 PSI	1,700 PSI	1,700 PSI	1,700 PSI	1,700 PSI
Hose Length	—	25 ft.	30 ft.	40 ft.	50 ft.	—	25 ft.
Hose Dia., ID	—	1/2"	1/2"	1/2"	1/2"	—	1/2"
Inlet Connection	1/2" NPTF	1/2" NPTF	1/2" NPTF	1/2" NPTF	1/2" NPTF	1/2" NPTF	1/2" NPTF
Outlet Connection	1/2" NPTF	1/2" NPTM	1/2" NPTM	1/2" NPTM	1/2" NPTM	1/2" NPTM	1/2" NPTM
Connecting Hose Length	—	2 ft.	2 ft.	2 ft.	2 ft.	—	2 ft.
Shipping Weight, lb.	28	37	38	40	43	26	34

Note: See page 71 for reel mounting kits.

SPRING REWIND HOSE REELS – OIL

Enclosed Reel, 44002 Series:

The 44002 series enclosed reel provides hose protection from dirt, UV and physical damage as well as improved aesthetics. Enclosed reels are easy to mount via a unique “slip-on” reel mounting system. Additionally, these reels provide simple maintenance via an easy access swivel, which can be serviced without dismounting the reel. The tempered, containerized spring allows quick and safe replacement. Reels are supplied complete with hose stop and 1/2” x 2’ jumper hose.



	P/N 44002	P/N 44002-25L	P/N 44002-30L	P/N 44002-40L	P/N 44002-50L
Working Pressure	1,700 PSI	1,700 PSI	1,700 PSI	1,700 PSI	1,700 PSI
Hose Length	—	25 ft.	30 ft.	40 ft.	50 ft.
Hose Dia., ID	—	1/2"	1/2"	1/2"	1/2"
Inlet Connection	1/2" NPTF	1/2" NPTF	1/2" NPTF	1/2" NPTF	1/2" NPTF
Outlet Connection	1/2" NPTF	1/2" NPTM	1/2" NPTM	1/2" NPTM	1/2" NPTM
3/8" Max. Winding Capacity	60 ft.	—	—	—	—
1/2" Max. Winding Capacity	50 ft.	—	—	—	—
Connecting Hose Length	—	2 ft.	2 ft.	2 ft.	2 ft.
Shipping Weight, lb.	38	47	48	51	52

SPRING REWIND HOSE REELS - OIL

Spring Rewind Hose Reels – Large Capacity:

These large capacity hose reels are ideal for use with 1/2" hose up to 75', 3/4" hose up to 50' lengths and 1" hose with lengths up to 40'. They are compact, sturdy and versatile. Reels are constructed from heavy gauge steel with full double pedestal and double arm supports for rigidity and powder coated for durability. Support arm is easily adjusted to allow installation on ceiling, wall, floor or bench without binding hose. Hose ball stop included.

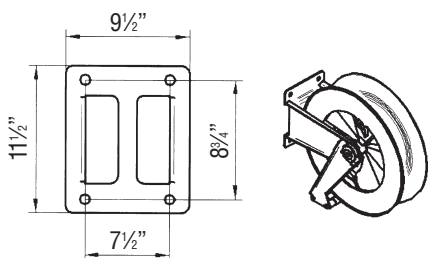
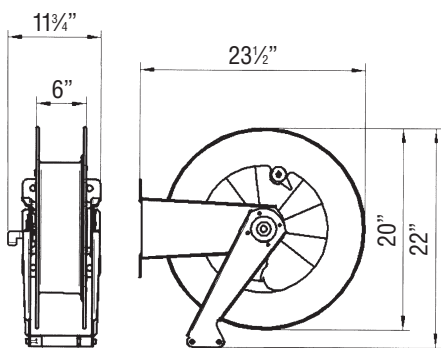


P/N 88402-40L (shown)

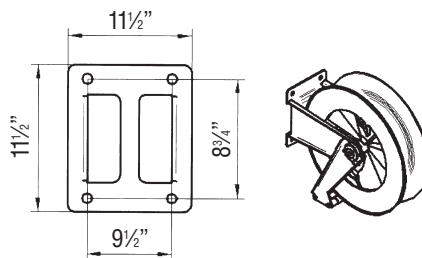
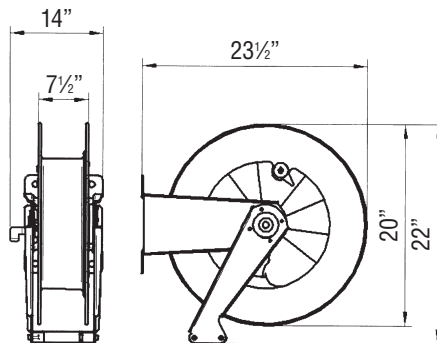


P/N 88405-40L (shown)

88402 and 88403 Series



88405 Series



	P/N 88403-50L	P/N 88403-75L	P/N 88402	P/N 88402-40L	P/N 88402-50L	P/N 88405	P/N 88405-30L	P/N 88405-40L
Working Pressure	1,160 PSI	1,160 PSI	1,160 PSI	1,160 PSI	870 PSI	1,160 PSI	1,160 PSI	1,160 PSI
Hose Length	50 ft.	75 ft.	—	40 ft.	50 ft.	—	30 ft.	40 ft.
Hose Dia., ID	1/2"	1/2"	—	3/4"	3/4"	—	1"	1"
Inlet Connection	1/2" NPTF	1/2" NPTF	3/4" NPTF	3/4" NPTF	3/4" NPTF	1" NPTF	1" NPTF	1" NPTF
Outlet Connection	1/2" NPTF	1/2" NPTF	3/4" NPTF	3/4" NPTF	3/4" NPTF	1" NPTF	1" NPTF	1" NPTF
Max Winding Capacity	1/2" x 75'	1/2" x 75'	3/4" x 50'	—	—	1" x 40'	—	—
Connecting Hose	2 ft.	2 ft.	—	See Note	See Note	—	See Note	See Note
Shipping Weight	70 lb	76 lb	62 lb	78 lb	86 lb	74 lb	84 lb	96 lb

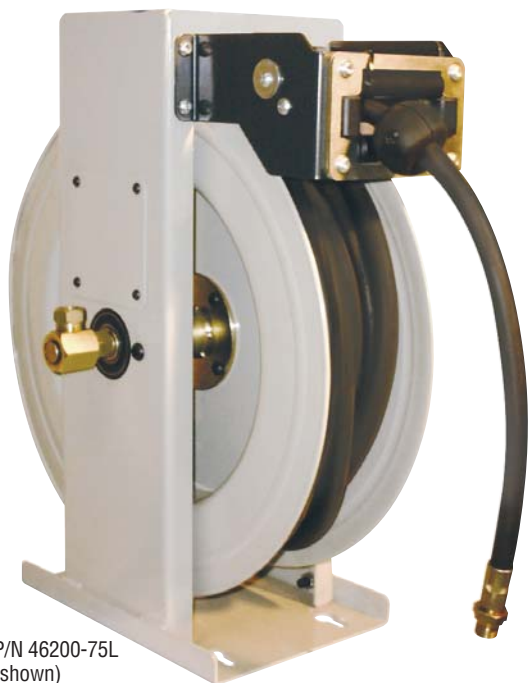
Note: Order connecting hose separately to fit your specific installation

SPRING REWIND HOSE REELS – EXTREME DUTY

These reels are intended for industrial applications where an extra heavy duty reel is required. Reels are constructed from thick gauge, powder coated steel with full double pedestal drum supports.

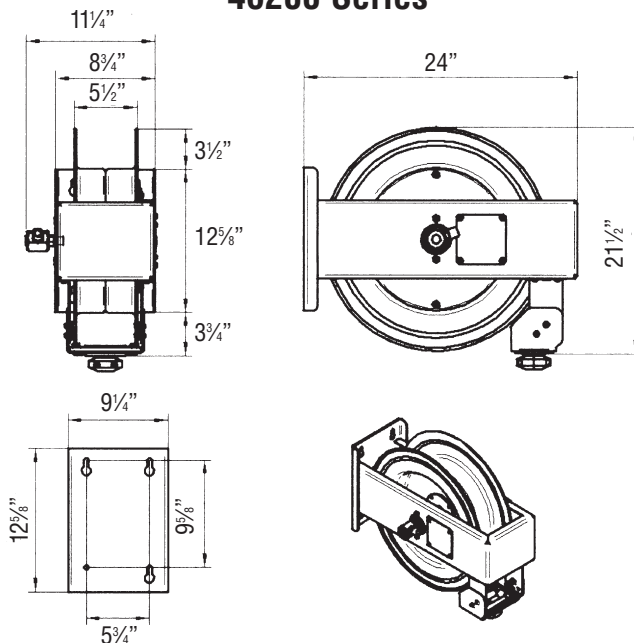
Drum shaft is 3/4" diameter supported by ball bearings on each side. Inlet swivel is machined solid brass with easily accessible seals for simple maintenance.

46200 series reels are supplied complete with ball stop and connecting hose.



P/N 46200-75L (shown)

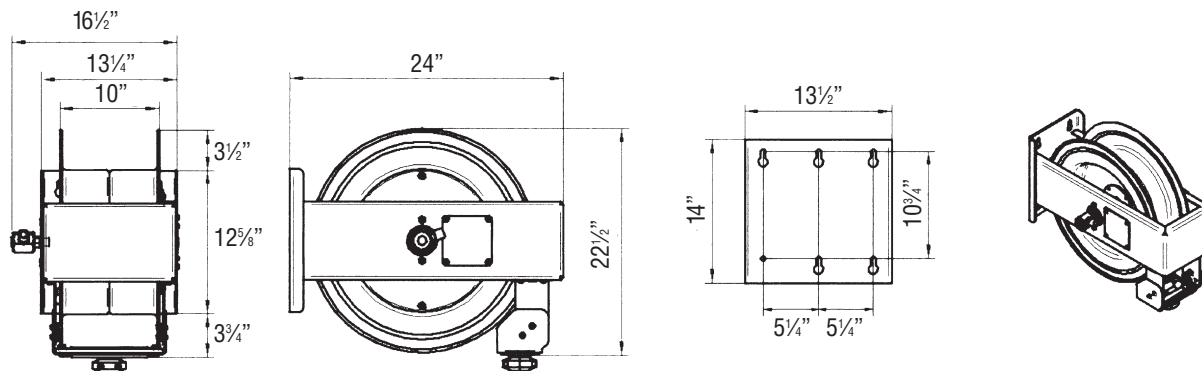
46200 Series



	P/N 46200	P/N 46200-50L	P/N 46200-75L	P/N 46500	P/N 46501-50L	P/N 46502-40L
Working Pressure	1,700 PSI	1,700 PSI	1,700 PSI	1,160 PSI	1,160 PSI	1,160 PSI
Hose Length	—	50 ft.	75 ft.	—	50 ft.	40 ft.
Hose Dia., ID	—	1/2"	1/2"	—	3/4"	1"
Inlet Connection	1/2" NPTF	1/2" NPTF	1/2" NPTF	1" NPTF	1" NPTF	1" NPTF
Outlet Connection	1/2" NPTF	1/2" NPTM	1/2" NPTM	1" NPTM	3/4" NPTM	1" NPTM
1/2" Max. Winding Capacity	80 ft.	—	—	—	—	—
1" Max. Winding Capacity	—	—	—	45 ft.	—	—
Connecting Hose Length	—	2 ft.	2 ft.	—	See Note	See Note
Shipping Weight, lb.	66	81	87	66	94	96

Note: Order connecting hose separately to fit your specific installation

46500 Series



SPRING REWIND HOSE REELS – GREASE

Open Reel, 43102, 43103 and 43104 Series:

An excellent tool to ensure a clean, efficient and safe working environment. These reels are constructed of heavy gauge, powder coated steel with a high density polypropylene hose drum to ensure durability and corrosion resistance. Reels have double pedestal and double arm construction for rigidity. Easy access inlet swivel design utilizes “quad” seals with PTFE backup and secondary ‘O’ Ring to ensure long life. Hose guide arms are adjustable to allow bench, wall or ceiling mounting.

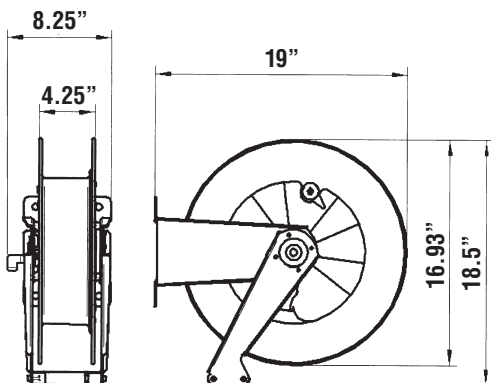
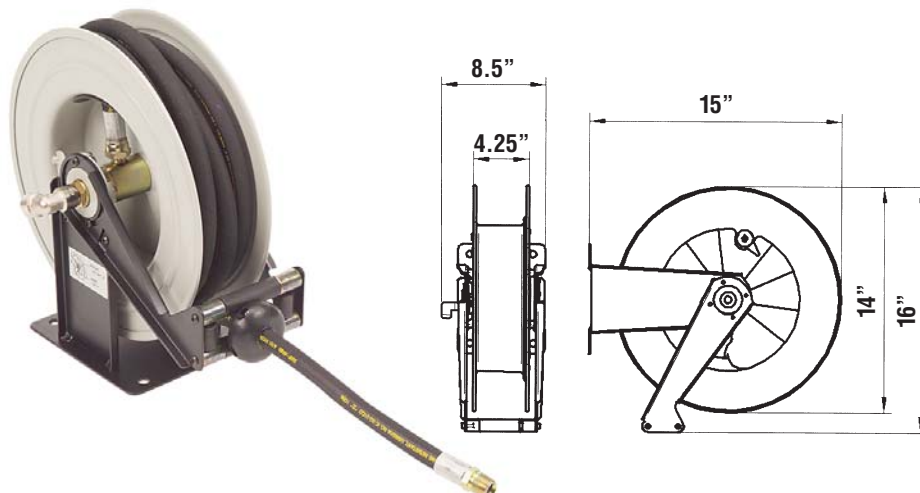
Both open and enclosed reel styles are supplied standard with rigid, fixed mounts. An optional swivel mount bracket is available for both the open and enclosed reel styles.

Reels are supplied complete with ball stop and connecting hose.

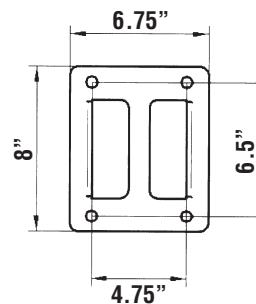
Compact Hose Reel:

P/N **43104**

This compact reel offers heavy duty construction with corrosion resistant powder coated finish, fully enclosed and lubricated spring and full flow swivel to minimize pressure drop. The hose guide arm is easily adjusted to one of 9 positions to allow wall, ceiling or floor mounting.



Mounting Pattern
Common both reels.



P/N 43102 shown

	P/N 43102	P/N 43102-30G	P/N 43102-50G	P/N 43103-30G	P/N 43103-50G	P/N 43104	P/N 43104-25G
Working Pressure	8,700 PSI	8,700 PSI	8,700 PSI	8,700 PSI	8,700 PSI	8,700 PSI	8,700 PSI
Hose Length	—	30 ft.	50 ft.	30 ft.	50 ft.	—	25 ft.
Hose Dia., ID	—	1/4"	1/4"	3/8"	3/8"	—	1/4"
Inlet Connection	1/4" NPTF	1/4" NPTF	1/4" NPTF	1/4" NPTF	1/4" NPTF	1/4" NPTF	1/4" NPTF
Outlet Connection	1/4" NPTM	1/4" NPTM	1/2" NPTF	1/4" NPTM	1/4" NPTM	1/4" NPTM	1/4" NPTM
1/4" Max. Winding Capacity	65 ft.	—	—	—	—	40 ft.	—
3/8" Max. Winding Capacity	65 ft.	—	—	—	—	40 ft.	—
Connecting Hose Length	—	2 ft.	2 ft.	2 ft.	2 ft.	—	2 ft.
Shipping Weight, lb.	28	35	40	40	45	26	33

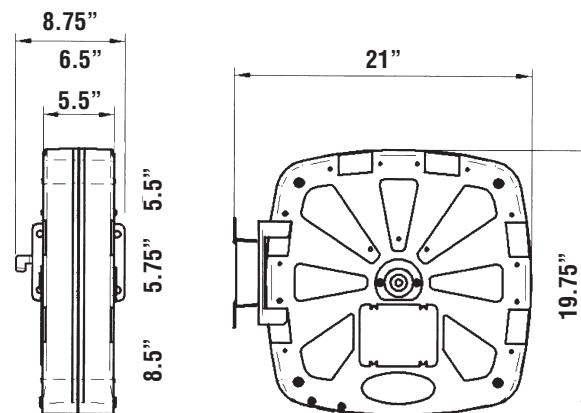
HOSE REELS

SPRING REWIND HOSE REELS – GREASE

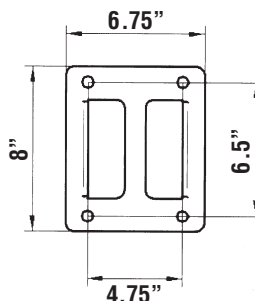
SPRING REWIND HOSE REELS – ENCLOSED DRUM – GREASE

Enclosed Reel, 44100 Series:

The 44100 series enclosed reel provides hose protection from dirt, UV and physical damage as well as improved aesthetics. Enclosed reels are easy to mount via a unique “slip-on” reel mounting system. Additionally, these reels provide simple maintenance via an easy access swivel, which can be serviced without dismounting the reel. The tempered, containerized spring allows quick and safe replacement. Reels are supplied complete with hose stop and jumper hose.



Mounting Pattern



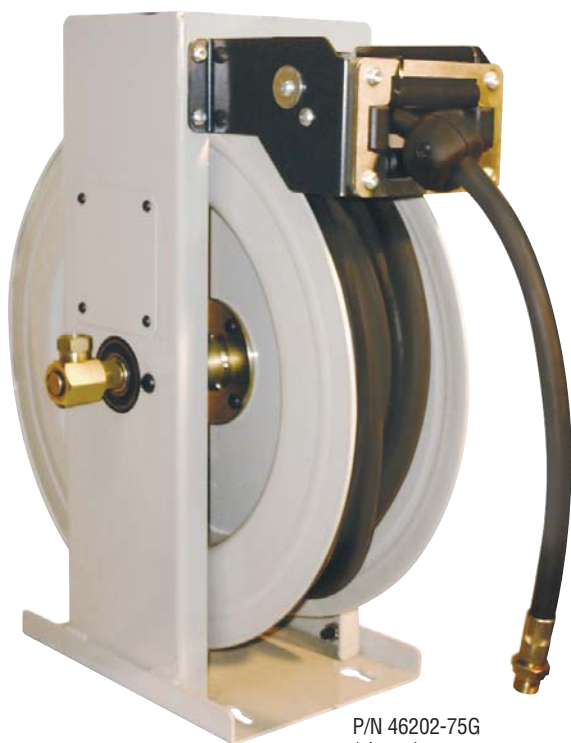
	P/N 44102	P/N 44102-30G	P/N 44102-50G	P/N 44103-30G	P/N 44103-50G
Working Pressure	8,700 PSI	8,700 PSI	8,700 PSI	8,700 PSI	8,700 PSI
Hose Length	—	30 ft.	50 ft.	30 ft.	50 ft.
Hose Dia., ID	—	1/4"	1/4"	3/8"	3/8"
Inlet Connection	1/4" NPTF	1/4" NPTF	1/4" NPTF	1/4" NPTF	1/4" NPTF
Outlet Connection	1/2" NPTF	1/4" NPTM	1/4" NPTM	1/4" NPTM	1/4" NPTM
1/4" Max. Winding Capacity	65 ft.	—	—	—	—
3/8" Max. Winding Capacity	65 ft.	—	—	—	—
Connecting Hose Length	—	2 ft.	2 ft.	2 ft.	2 ft.
Shipping Weight, lb.	39	47	52	52	57

HOSE REELS - EXTREME DUTY - GREASE

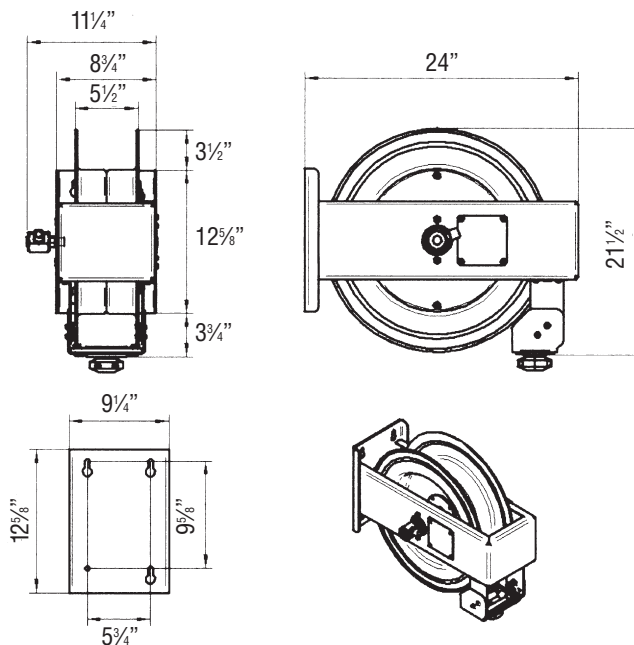
These reels are intended for extreme applications where an extra heavy duty reel is required. Reels are constructed from thick gauge, powder coated steel with full double pedestal drum supports.

Drum shaft is 3/4" diameter supported by ball bearings on each side. Inlet swivel is machined solid brass with easily accessible seals for simple maintenance.

Reels are supplied complete with ball stop and connecting hose.



P/N 46202-75G
(shown)



	P/N 46201	P/N 46201-50G	P/N 46201-75G	P/N 46202-50G	P/N 46202-75G
Working Pressure	8,700 PSI	8,700 PSI	8,700 PSI	8,700 PSI	8,700 PSI
Hose Length	—	50 ft.	75 ft.	50 ft.	75 ft.
Hose Dia., ID	—	1/4"	1/4"	3/8"	3/8"
Inlet Connection	3/8" NPTF	3/8" NPTF	3/8" NPTF	3/8" NPTF	3/8" NPTF
Outlet Connection	1/2" NPTF	1/4" NPTM	1/4" NPTM	1/4" NPTM	1/4" NPTM
1/4" Max. Winding Capacity	80 ft.	—	—	—	—
3/8" Max. Winding Capacity	80 ft.	—	—	—	—
Connecting Hose Length	—	2 ft.	2 ft.	2 ft.	2 ft.
Shipping Weight, lb.	66	79	84	84	89

SPRING REWIND HOSE REELS – OPEN DRUM – AIR/WATER

Open Reel, 43002 and 43003 Series:

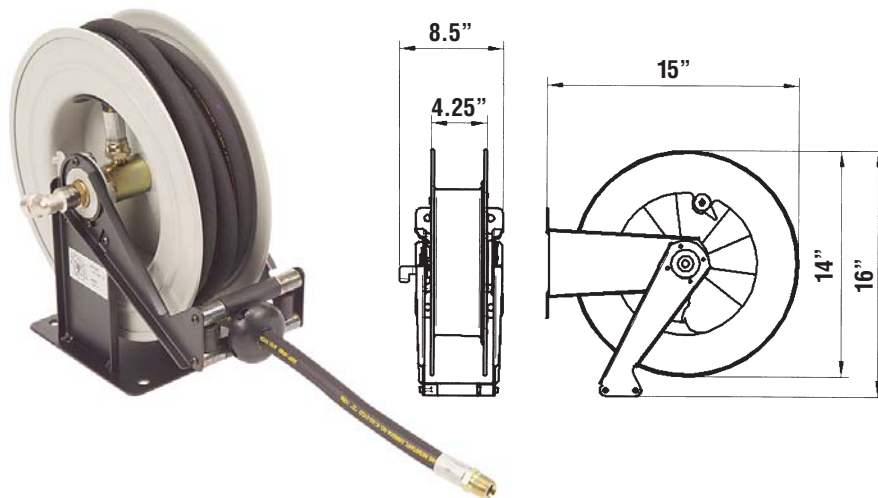
An excellent tool to ensure a clean, efficient and safe working environment. Liquidynamics reels are constructed of heavy gauge, powder coated steel with a high density polypropylene hose drum to ensure durability and corrosion resistance. These reels are extremely rugged and are intended for heavy duty use. Both open and enclosed styles are supplied with a standard rigid fixed mount. An optional swivel mount bracket is available for both the open and enclosed reel styles.

Reels are supplied complete with ball stop and connecting hose. Maximum vertical mounting height is 12'. Contact Liquidynamics if higher mounting height is required.

Compact Hose Reel:

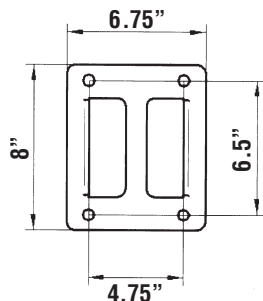
P/N 43003-30A

This compact reel offers heavy duty steel construction with corrosion resistant powder coated finish. Fully enclosed and lubricated spring and full flow swivel to minimize pressure drop. The hose guide arm is easily adjusted to one of 9 positions to allow wall, ceiling or floor mounting.

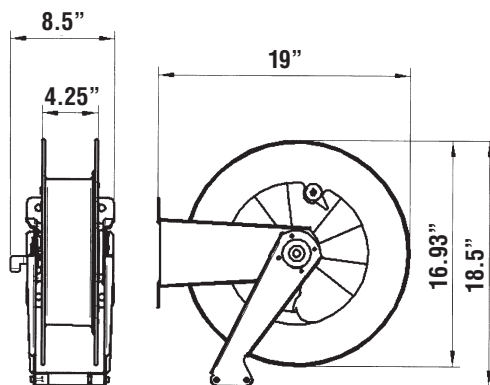


Mounting Pattern

Common both reels.



P/N 43002

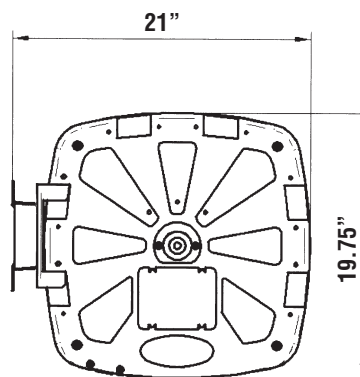
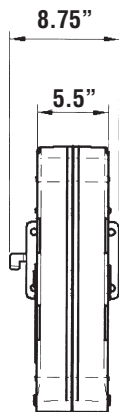


P/N 43002 shown

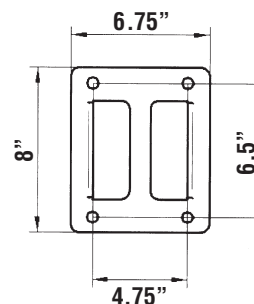
	P/N 43002	P/N 43002-30A	P/N 43002-50A	P/N 43003	P/N 43003-30A	P/N 43003-50A
Working Pressure	1,160 PSI	250 PSI	250 PSI	1,160 PSI	250 PSI	250 PSI
Hose Length	—	30 ft.	50 ft.	—	30 ft.	50 ft.
Hose Dia., ID	—	3/8"	3/8"	—	3/8"	3/8"
Inlet Connection	1/2" NPTF	1/2" NPTF	1/2" NPTF	1/2" NPTF	3/8" NPTF	3/8" NPTF
Outlet Connection	1/2" NPTF	1/2" NPTM	1/2" NPTM	1/2" NPTM	3/8" NPTF	3/8" NPTF
Connecting Hose Length	—	2 ft.	2 ft.	—	2 ft.	2 ft.
Shipping Weight, lb.	28	34	37	27	32	38

SPRING REWIND HOSE REELS – ENCLOSED DRUM – AIR/WATER

Enclosed Reel, 44002 Series:



Mounting Pattern



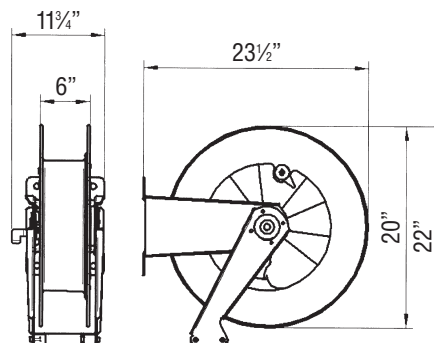
	P/N 44002	P/N 44002-30A	P/N 44002-50A
Working Pressure	1,160 PSI	250 PSI	250 PSI
Hose Length	—	30 ft.	50 ft.
Hose Dia., ID	—	3/8"	3/8"
Inlet Connection	1/2" NPTF	1/2" NPTF	1/2" NPTF
Outlet Connection	1/2" NPTF	3/8" NPTM	3/8" NPTM
3/8" Max. Winding Capacity	60 ft.	—	—
Connecting Hose Length	—	2 ft.	2 ft.
Shipping Weight, lb.	39	46	49

Large Capacity, 88403 Series:



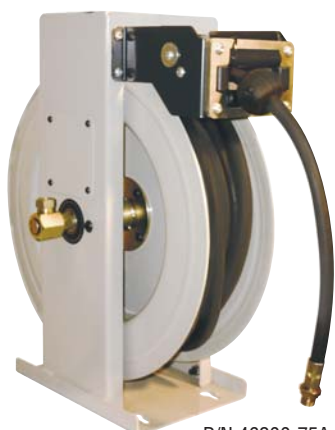
P/N 88403-50A (shown)

	P/N 88403	P/N 88403-50A	P/N 88403-75A
Working Pressure	1,160 PSI	250 PSI	250 PSI
Hose Length	—	50 ft.	75 ft.
Hose Dia., ID	—	1/2"	1/2"
Inlet Connection	1/2" NPTF	1/2" NPTF	1/2" NPTF
Outlet Connection	1/2" NPTF	1/2" NPTM	1/2" NPTM
3/8" Max. Winding Capacity	80 ft.	—	—
Connecting Hose Length	—	2 ft.	2 ft.
Shipping Weight, lb.	62	68	74



SPRING REWIND HOSE REELS – AIR/WATER

Extreme Duty 46200 Series:



P/N 46200-75A
(shown)

	46200	46200-50A	46200-75A
Working Pressure	1,160 PSI	250 PSI	250 PSI
Hose Length	—	50 ft.	75 ft.
Hose Dia., ID	—	1/2"	1/2"
Inlet Connection	1/2" NPTF	1/2" NPTF	1/2" NPTF
Outlet Connection	1/2" NPTF	1/2" NPTM	1/2" NPTM
1/2" Max. Winding Capacity	80 ft.	—	—
Connecting Hose Length	—	2 ft.	2 ft.
Shipping Weight, lb.	66	76	81

Stainless Steel 47400 and 47500 Series:



P/N 47502-75
(shown)

	47400	47400-30	47400-50
Working Pressure	2,900 PSI	2,900 PSI	2,900 PSI
Hose Length	—	30 ft.	50 ft.
Hose Dia., ID	—	3/8"	3/8"
Inlet Connection	1/2" NPTF	1/2" NPTF	1/2" NPTF
Outlet Connection	1/2" NPTF	1/2" NPTM	1/2" NPTM
3/8" Max. Winding Capacity	60 ft.	—	—
1/2" Max. Winding Capacity	50 ft.	—	—
Connecting Hose Length	—	2 ft.	2 ft.
Shipping Weight, lb.	28	40	45

	47500	47501-75	47502-50	47502-75
Working Pressure	2,900 PSI	2,900 PSI	2,900 PSI	2,900 PSI
Hose Length	—	75 ft.	50 ft.	75 ft.
Hose Dia., ID	—	3/8"	1/2"	1/2"
Inlet Connection	1/2" NPTF	1/2" NPTF	1/2" NPTF	1/2" NPTF
Outlet Connection	1/2" NPTF	1/2" NPTM	1/2" NPTM	1/2" NPTM
3/8" Max. Winding Capacity	60 ft.	—	—	—
1/2" Max. Winding Capacity	80 ft.	—	—	—
Connecting Hose Length	—	2 ft.	2 ft.	2 ft.
Shipping Weight, lb.	66	89	76	87

SPRING REWIND HOSE REELS – FUEL

Spring Rewind Hose Reels – Large Capacity:

These large capacity hose reels are ideal for use with 3/4" hose up to 50' lengths and 1" hose with lengths up to 40'. They are compact, sturdy and versatile. Reels are constructed from heavy gauge steel with full double pedestal and double arm supports for rigidity and powder coated for durability. Support arm is easily adjusted to allow installations on ceiling, wall, floor or bench without binding of hose. Hose ball stop included.

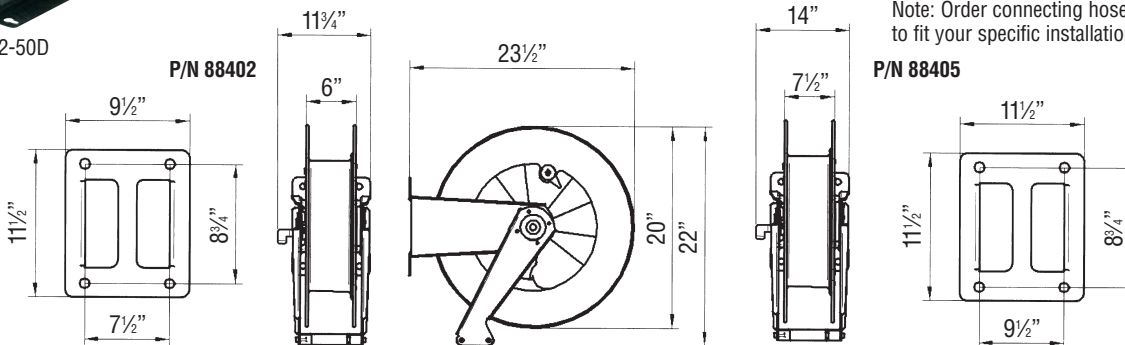
Diesel 88000 Series:



P/N 88402-50D (shown)

	88402	88402-40D	88402-50D	88405	88405-30D	88405-40D
Working Pressure	870 PSI	150 PSI	150 PSI	870 PSI	150 PSI	150 PSI
Hose Length	—	40 ft.	50 ft.	—	30 ft.	40 ft.
Hose Dia., ID	—	3/4"	3/4"	—	1"	1"
Inlet Connection	3/4" NPTF	3/4" NPTF	3/4" NPTF	1" NPTF	1" NPTF	1" NPTF
Outlet Connection	3/4" NPTF	3/4" NPTM	3/4" NPTM	1" NPTM	1" NPTM	1" NPTM
Max. Winding Capacity	3/4" x 50'	—	—	1" x 40'	—	—
Connecting Hose	—	Note	Note	—	Note	Note
Shipping Weight, lb.	62	78	86	74	84	96

Note: Order connecting hose separately to fit your specific installation.

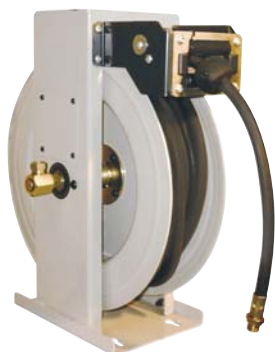


These reels are intended for industrial applications where an extra heavy duty reel is required. Reels are constructed from thick gauge, powder coated steel with full double pedestal drum supports.

Drum shaft is 3/4" diameter supported by ball bearings on each side. Inlet swivel is machined solid brass with easily accessible seals for simple maintenance.

46000 series reels are supplied complete with ball stop.

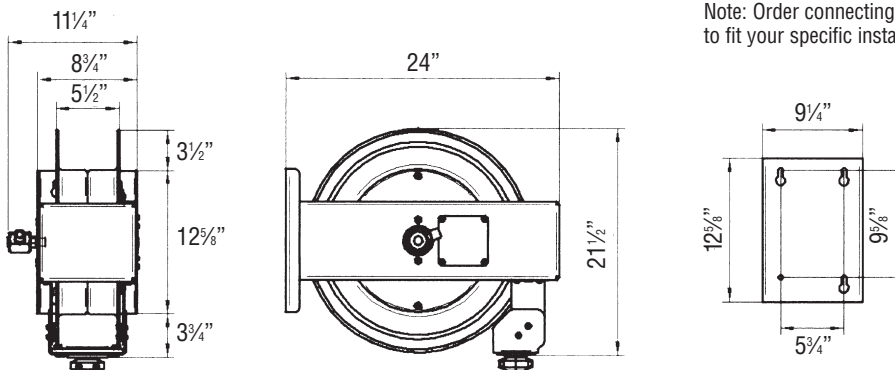
Diesel Reel, 46000 Series:



P/N 46504-50D (shown)

	46500	46504-25D	46504-50D	46505-25D	46505-40D
Working Pressure	1,160 PSI	150 PSI	150 PSI	150 PSI	150 PSI
Hose Length	—	25 ft.	50 ft.	25 ft.	40 ft.
Hose Dia., ID	—	3/4"	3/4"	1"	1"
Inlet Connection	1" NPTF	1" NPTF	1" NPTF	1" NPTF	1" NPTF
Outlet Connection	1" NPTF	3/4" NPTM	3/4" NPTM	1" NPTM	1" NPTM
Connecting Hose Length	—	Note	Note	Note	Note
Shipping Weight, lb.	66	82	94	84	96

Note: Order connecting hose separately to fit your specific installation.



FLUID AND AIR HOSES – LOW & MEDIUM PRESSURE

These hoses are suitable for use with Air, Water, Oil, Hydraulic Fluid, Transmission Fluid and Antifreeze as appropriate. Hoses are typically supplied with a rigid fitting on one side and a swivel fitting on the other side.

Please contact Liquidynamics if you require a special hose type, length or fittings

LOW PRESSURE AIR AND WATER HOSE

A premium high quality multi-purpose hose that is an excellent choice for air and water applications. The hose is constructed with high tensile textile cord reinforcement and a red neoprene cover. This construction provides excellent kink resistance, a working pressure of 300 PSI, a 4:1 safety factor and a temperature range of -20° F to +212° F.

P/N	HOSE SIZE	FITTINGS
81100-02	3/8" x 2'	1/4" x 1/4" (A)
81100-04	3/8" x 4'	1/4" x 1/4" (A)
81100-06	3/8" x 6'	1/4" x 1/4" (A)
81100-10	3/8" x 10'	1/4" x 1/4" (A)
81100-15	3/8" x 15'	1/4" x 1/4" (A)
81100-25	3/8" x 25'	1/4" x 1/4" (A)
81100-30	3/8" x 30'	1/4" x 1/4" (A)
81100-40	3/8" x 40'	1/4" x 1/4" (A)
81100-50	3/8" x 50'	1/4" x 1/4" (A)
81125-02	3/8" x 2'	3/8" x 3/8" (A)
81125-04	3/8" x 4'	3/8" x 3/8" (A)
81125-06	3/8" x 6'	3/8" x 3/8" (A)
81125-10	3/8" x 10'	3/8" x 3/8" (A)
81125-15	3/8" x 15'	3/8" x 3/8" (A)
81125-25	3/8" x 25'	3/8" x 3/8" (A)
81125-30	3/8" x 30'	3/8" x 3/8" (A)
81125-40	3/8" x 40'	3/8" x 3/8" (A)
81125-50	3/8" x 50'	3/8" x 3/8" (A)
81150-02	1/2" x 2'	1/2" x 1/2" (A)
81150-04	1/2" x 4'	1/2" x 1/2" (A)
81150-06	1/2" x 6'	1/2" x 1/2" (A)
81150-10	1/2" x 10'	1/2" x 1/2" (A)
81150-15	1/2" x 15'	1/2" x 1/2" (A)
81150-25	1/2" x 25'	1/2" x 1/2" (A)
81150-30	1/2" x 30'	1/2" x 1/2" (A)
81150-40	1/2" x 40'	1/2" x 1/2" (A)
81150-50	1/2" x 50'	1/2" x 1/2" (A)
81150-75	1/2" x 75'	1/2" x 1/2" (A)

(A) NPTM Rigid fitting x NPTM Swivel fitting

LOW PRESSURE OIL HOSE 3/4" & 1" ID

For use with Double Diaphragm Pumps.

A good multi-purpose hose for applications requiring maximum flexibility with good resistance to air, water and oils. Construction is a type "B" elastomer with high tensile textile cord reinforcement with an operating temperature range of -40° F to +200° F. Outside diameter is 1.15" (3/4"), 1.47" (1") and has a maximum working pressure of 250 PSI and a maximum suction of 20" Hg. Minimum bend radius is 5".

P/N	HOSE SIZE	FITTINGS
81225-02	3/4" x 2'	3/4" x 3/4" (A)
81225-04	3/4" x 4'	3/4" x 3/4" (A)
81225-06	3/4" x 6'	3/4" x 3/4" (A)
81225-25	3/4" x 25'	3/4" x 3/4" (A)
81225-30	3/4" x 30'	3/4" x 1" (A)
81225-40	3/4" x 40'	3/4" x 1" (A)
81225-50	3/4" x 50'	3/4" x 1" (A)
81230-02	1" x 2'	1" x 1" (A)
81230-04	1" x 4'	1" x 1" (A)
81230-06	1" x 6'	1" x 1" (A)
81230-25	1" x 25'	1" x 1" (A)
81230-30	1" x 30'	1" x 1" (A)
81230-35	1" x 35'	1" x 1" (A)
81230-40	1" x 40'	1" x 1" (A)
81230-50	1" x 50'	1" x 1" (A)

(A) NPTM Rigid fitting x NPTM Swivel fitting

MEDIUM PRESSURE OIL HOSE 1/2" ID

For use with all ratio pumps up to and including 13:1 pumps.

An excellent general purpose hose used for oil, hydraulic fluid, transmission fluid and antifreeze. Hose is constructed with a neoprene tube, high tensile steel wire braid and oil and weather resistant synthetic rubber. Hose is rated to a maximum working pressure of 2,500 PSI and a minimum burst of 10,000 PSI and has a temperature range of -40° F to +250° F. The hose is SAE/USCG marine listed and exceeds SAE 100R1 specifications. It is very flexible with a minimum bend radius of 3.0 inches, OD is 0.75". Hose may be used for suction or discharge.

P/N	HOSE SIZE	FITTINGS
81200-02	1/2" x 2'	1/2" x 1/2" (A)
81200-04	1/2" x 4'	1/2" x 1/2" (A)
81200-05	1/2" x 5'	1/2" x 1/2" (A)
81200-06	1/2" x 6'	1/2" x 1/2" (A)
81200-08	1/2" x 8'	1/2" x 1/2" (A)
81200-12	1/2" x 12'	1/2" x 1/2" (A)
81200-15	1/2" x 15'	1/2" x 1/2" (A)
81200-20	1/2" x 20'	1/2" x 1/2" (A)
81200-25	1/2" x 25'	1/2" x 1/2" (A)
81200-30	1/2" x 30'	1/2" x 1/2" (A)
81200-35	1/2" x 35'	1/2" x 1/2" (A)
81200-40	1/2" x 40'	1/2" x 1/2" (A)
81200-45	1/2" x 45'	1/2" x 1/2" (A)
81200-50	1/2" x 50'	1/2" x 1/2" (A)
81200-75	1/2" x 75'	1/2" x 1/2" (A)
81200-100	1/2" x 100'	1/2" x 1/2" (A)

(A) NPTM Rigid fitting x NPTM Swivel fitting

MEDIUM PRESSURE OIL HOSE 3/4" & 1" ID

For use with High Volume Ratio Pumps.

An excellent general purpose hose used for oil, hydraulic fluid, transmission fluid and antifreeze. Hose is constructed with a neoprene tube, high tensile steel wire braid and oil and weather resistant synthetic rubber. Hose is rated to a maximum working pressure of 1,250 PSI and a minimum burst of 5,000 PSI and has a temperature range of -40° F to +250° F. The hose is SAE/USCG marine listed and exceeds SAE 100R1 specifications. It is very flexible with a minimum bend radius of 4.3" inches, OD is 1.01". Hose may be used for suction or discharge.

P/N	HOSE SIZE	FITTINGS
81250-02	3/4" x 2'	3/4" x 3/4" (A)
81250-04	3/4" x 4'	3/4" x 3/4" (A)
81250-06	3/4" x 6'	3/4" x 3/4" (A)
81250-12	3/4" x 12'	3/4" x 3/4" (A)
81250-20	3/4" x 20'	3/4" x 3/4" (A)
81250-25	3/4" x 25'	3/4" x 3/4" (A)
81250-30	3/4" x 30'	3/4" x 3/4" (A)
81250-40	3/4" x 40'	3/4" x 3/4" (A)
81250-50	3/4" x 50'	3/4" x 3/4" (A)
81260-02	1" x 2'	1" x 1" (A)
81260-04	1" x 4'	1" x 1" (A)
81260-06	1" x 6'	1" x 1" (A)
81260-12	1" x 12'	1" x 1" (A)
81260-20	1" x 20'	1" x 1" (A)
81260-25	1" x 25'	1" x 1" (A)
81260-30	1" x 30'	1" x 1" (A)
81260-40	1" x 40'	1" x 1" (A)
81260-50	1" x 50'	1" x 1" (A)

(A) NPTM Rigid fitting x NPTM Swivel fitting

GREASE HOSE & FUEL HOSE

These hoses are suitable for use with Hydraulic Fluid and Grease. Hoses are typically supplied with a rigid fitting on one side and a swivel fitting on the other side.

Please contact Liquidynamics if you require a special hose type, length or fittings

HIGH PRESSURE HOSE

For use with 60:1 Grease Pumps.

High pressure hose used for grease and hydraulic fluid transfer. Hose is constructed with a neoprene tube, two high tensile strength wire braids and MSHA approved oil and weather resistant synthetic rubber cover, (3/8" hose has a polyester tube and neoprene cover). Maximum working pressure for the 1/4" ID hose is 5,000 PSI with a minimum burst pressure of 20,000 PSI, while the 3/8" ID hose has a maximum working pressure of 4,000 PSI and a minimum bursting pressure of 16,000 PSI. High pressure hoses are flexible, with a minimum bend radius of 2.0" and 6.0" respectively. Hoses have a working temperature of -40° F to +212° F and are SAE/USCG marine listed.

P/N	HOSE SIZE	FITTINGS
81300-02	1/4" x 2'	1/4" x 1/4" (A)
81300-04	1/4" x 4'	1/4" x 1/4" (A)
81300-05	1/4" x 5'	1/4" x 1/4" (A)
81300-06	1/4" x 6'	1/4" x 1/4" (A)
81300-08	1/4" x 8'	1/4" x 1/4" (A)
81300-12	1/4" x 12'	1/4" x 1/4" (A)
81300-15	1/4" x 15'	1/4" x 1/4" (A)
81300-20	1/4" x 20'	1/4" x 1/4" (A)
81300-25	1/4" x 25'	1/4" x 1/4" (A)
81300-30	1/4" x 30'	1/4" x 1/4" (A)
81300-40	1/4" x 40'	1/4" x 1/4" (A)
81300-50	1/4" x 50'	1/4" x 1/4" (A)
81301-25	1/4" x 25'	1/4" x 9/16" (B)
81301-30	1/4" x 30'	1/4" x 9/16" (B)
81301-40	1/4" x 40'	1/4" x 9/16" (B)
81301-50	1/4" x 50'	1/4" x 9/16" (B)
81301-60	1/4" x 60'	1/4" x 9/16" (B)
81315-02	3/8" x 2'	3/8" x 3/8" (A)
81315-04	3/8" x 4'	3/8" x 3/8" (A)
81315-06	3/8" x 6'	3/8" x 3/8" (A)
81315-12	3/8" x 12'	3/8" x 3/8" (A)
81315-20	3/8" x 20'	3/8" x 3/8" (A)
81315-25	3/8" x 25'	3/8" x 3/8" (A)
81315-30	3/8" x 30'	3/8" x 3/8" (A)
81315-40	3/8" x 40'	3/8" x 3/8" (A)
81315-50	3/8" x 50'	3/8" x 3/8" (A)
81315-60	3/8" x 60'	3/8" x 3/8" (A)
81316-25	3/8" x 25'	3/8" x 9/16" (B)
81316-30	3/8" x 30'	3/8" x 9/16" (B)
81316-40	3/8" x 40'	3/8" x 9/16" (B)
81316-50	3/8" x 50'	3/8" x 9/16" (B)
81317-06	1/2" x 6'	1/2" (C)
81317-12	1/2" x 12'	1/2" (C)
81317-20	1/2" x 20'	1/2" (C)
81317-50	1/2" x 50'	1/2" (C)
81318-06	3/4" x 6'	3/4" (C)
81318-12	3/4" x 12'	3/4" (C)
81318-20	3/4" x 20'	3/4" (C)

(A) NPTM Rigid fitting x NPTM Swivel fitting

(B) NPTM Rigid fitting x 18 JICV fitting

(C) NPTM Rigid fitting both ends, 10,000 PSI Working Pressure

GROUNDING FUEL HOSE

For use with Electric Fuel Pumps and U.L. Approved D.D. Pumps.

Single wire braid construction provides the flexibility of a softwall and the durability of a hardwall and is resistant to crushing, cuts, abrasions, sun and weather. This hose is compatible with leaded and unleaded gasoline, gasohol and diesel fuel. Tubing is black nitrile with black nitrile / PVC cover and has a single wire braid with solid brass couplings for positive grounding. Temperature range is -40° F to +180° F and a working pressure of 150 PSI.

P/N	HOSE SIZE	FITTINGS
82400-06	3/4" x 6'	3/4" x 3/4" (A)
82400-10A	3/4" x 10'	3/4" x 3/4" (D)
82400-12	3/4" x 12'	3/4" x 3/4" (A)
82400-12A	3/4" x 12'	3/4" x 3/4" (D)
82400-20A	3/4" x 20'	3/4" x 3/4" (D)
82400-25	3/4" x 25'	3/4" x 3/4" (A)
82400-30	3/4" x 30'	3/4" x 3/4" (A)
82400-35	3/4" x 35'	3/4" x 3/4" (A)
82400-40	3/4" x 40'	3/4" x 3/4" (A)
82400-50	3/4" x 50'	3/4" x 3/4" (A)
82410-06	1" x 6'	1" x 1" (A)
82410-10	1" x 10'	1" x 1" (A)
82410-10A	1" x 10'	1" x 1" (D)
82410-12A	1" x 12'	1" x 1" (D)
82410-25	1" x 25'	1" x 1" (A)
82410-25A	1" x 25'	1" x 1" (D)
82410-30	1" x 30'	1" x 1" (A)
82410-35	1" x 35'	1" x 1" (A)
82410-40	1" x 40'	1" x 1" (A)
82410-50	1" x 50'	1" x 1" (A)

(A) NPTM Rigid fitting x NPTM Swivel fitting

(D) NPTM Rigid fitting both ends

NON GROUNDED FUEL HOSE

For use with Gravity or Hand Operated Equipment.

A quality hose designed for gravity flow applications for use in agricultural and construction sites. Hose has a working pressure of 75 PSI with a 2 spiral polyester yarn construction and Nitrile / PVC cover.

P/N	HOSE SIZE	FITTINGS
82450-08	3/4" x 8'	3/4" (D)
82450-10	3/4" x 10'	3/4" (D)
82450-12	3/4" x 12'	3/4" (D)
82450-15	3/4" x 15'	3/4" (D)
82450-20	3/4" x 20'	3/4" (D)
82460-08	1" x 8'	1" (D)
82460-10	1" x 10'	1" (D)
82460-12	1" x 12'	1" (D)
82460-15	1" x 15'	1" (D)
82460-20	1" x 20'	1" (D)

(D) NPTM Rigid fitting both ends

HOSE REELS

GREASE HOSE & FUEL HOSE

REEL ACCESSORIES

Hose Reel Mounting Channel Kit

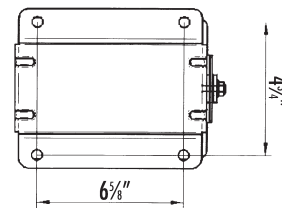
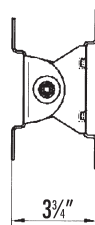
Reel mounting kits secure the 43002, 43003 and 44002 reels to "I" beams without having to drill any holes. Will fit "I" beams with flanges up to 7" wide. Kits are available for mounting 1 to 3 reels. For reel banks over 3 reels, use multiple channels, i.e. for 6 reel bank, use two 950043 reel kits.

- P/N **950041** 1 Reel Mounting Kit
- P/N **950042** 2 Reel Mounting Kit
- P/N **950043** 3 Reel Mounting Kit



Swivel Mount Kit

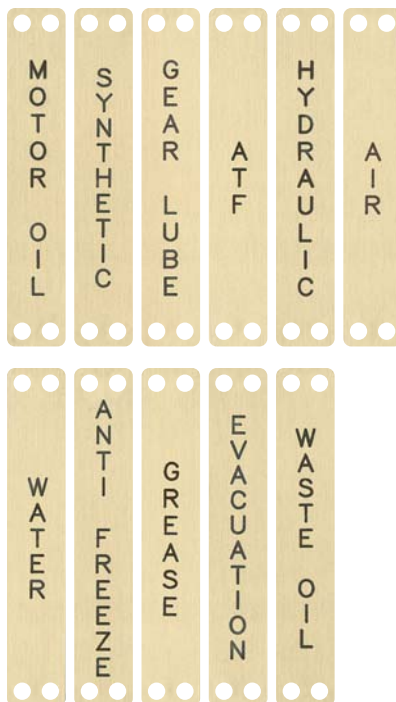
P/N **950091**
Swivel mount bracket adapts rigid mount open and enclosed reels to swivel mount, for P/N 43002, 43003 and 44002 series reels.



Product Service Labels

Product service labels (3/4" x 4 1/4") are used to identify type of product being dispensed from a reel, control handle or meter. Labels are engraved brass for durability and provided with mounting hardware for the specific product label listed.

- P/N **902010** Motor Oil
- P/N **902011** Synthetic Oil
- P/N **902012** Gear Lube
- P/N **902013** ATF
- P/N **902014** Hydraulic Oil
- P/N **902015** Air
- P/N **902016** Water
- P/N **902017** Antifreeze
- P/N **902018** Grease
- P/N **902019** Evacuation
- P/N **902020** Waste Oil



Note: Custom labels are available upon request. Please call for availability.

P/N **42015**

Wall mounted drip tray. Used to retain control handle and catch the occasional drip. Catch tray is easily removed for cleaning.

